

# MAINTENANCE

## 5020 Series Tractors

Edition 2006



**JOHN DEERE**  
Genuine Parts and Service

John Deere Werke Mannheim

CODES USED IN "REMARKS" COLUMN FOR MAINTENANCE CATALOGS

LX029871 -UN-05JUL02

	English	Français	Deutsch
<b>APPL</b>	This application only	Uniquement pour cette utilisation	Nur für diese Anwendung
<b>AR</b>	As required	Suivant besoin	Nach Bedarf
<b>FOR</b>	Use with	Pour	Für
<b>FRONT</b>	Front	Avant	Vorn
<b>ID</b>	Inside diameter	Diamètre intérieur	Innendurchmesser
<b>INCL KEYS</b>	Including keys	Comprend les repères	Einschließlich Teile
<b>KIT</b>	Kit	Jeu de réparation	Reparaturatz
<b>LGTH</b>	Length	Longueur	Länge
<b>LH</b>	Left-hand	Gauche	Links
<b>MARKED</b>	Marked	Marqué	Markiert
<b>MF</b>	Make from	Réaliser avec	Herstellen von
<b>NOT</b>	Do not use for	Ne pas utiliser pour	Nicht verwenden für
<b>NSEP</b>	Not supplied separately	Non livré séparément	Einzeln nicht lieferbar
<b>OD</b>	Outside diameter	Diamètre extérieur	Außendurchmesser
<b>ONLY</b>	Only usable for	Seul. utilisable pour	Nur verwendbar für
<b>OR</b>	Or	Ou	Oder
<b>ORD</b>	Order	Commander	Bestelle
<b>ORD W/</b>	Also order	Commander avec	Bestelle mit
<b>PACKG</b>	Packet of	Par paquet de	Verpackt zu
<b>REAR</b>	Rear	Arrière	Hinten
<b>RH</b>	Right-hand	Droit	Rechts
<b>SUB FOR</b>	Substitutes for	Remplace	Ersatz für
<b>TK</b>	Thickness	Epaisseur	Stärke
<b>W/O</b>	Without	Sans	Ohne

	Italiano	Español	Svenska
<b>APPL</b>	Solo per questo impiego	Tan sólo para este propósito	Endast för denna användning
<b>AR</b>	Secondo necessità	Según necesidad	I má av behöv
<b>FOR</b>	Per	Para	För
<b>FRONT</b>	Anteriore	Frente	Fram
<b>ID</b>	Diametro interno	Diámetro interior	Inre diameter
<b>INCL KEYS</b>	Chiavette incluse	Incluye las posiciones	Inklusive nycklar
<b>KIT</b>	Corredo	Conjunto de reparación	Sats
<b>LGTH</b>	Lunghezza	Longitud	Längd
<b>LH</b>	Sinistra	Izquierda	Vänster sida
<b>MARKED</b>	Marcato	Marcado	Märkt
<b>MF</b>	Fabbricare di	Hacer de	Tillverka av
<b>NOT</b>	Non utilizzare per	No utilizar para	
<b>NSEP</b>	Non fornito separatamente	No se suministra por separado	Kan ej erhållas separat
<b>OD</b>	Diametro esterno	Diámetro exterior	Ytre diameter
<b>ONLY</b>	Solo utilizzabile per	Sólo utilizable para	
<b>OR</b>	Oppure	O	Eller
<b>ORD</b>	Ordinare	Pídase	Beställ
<b>ORD W/</b>	Ordinare con	Pídase con	Beställ med
<b>PACKG</b>	In confezione da	Por paquete de	I sats eller paket
<b>REAR</b>	Posteriore	Trasero	Bak, bakre
<b>RH</b>	Destra	Derecha	Höger sida
<b>SUB FOR</b>	Sostituisce	Sustitución para	Ersätter
<b>TK</b>	Spessore	Espesor	Tjocklek
<b>W/O</b>	Senza	Sin	Utän, exklusive

LX029871

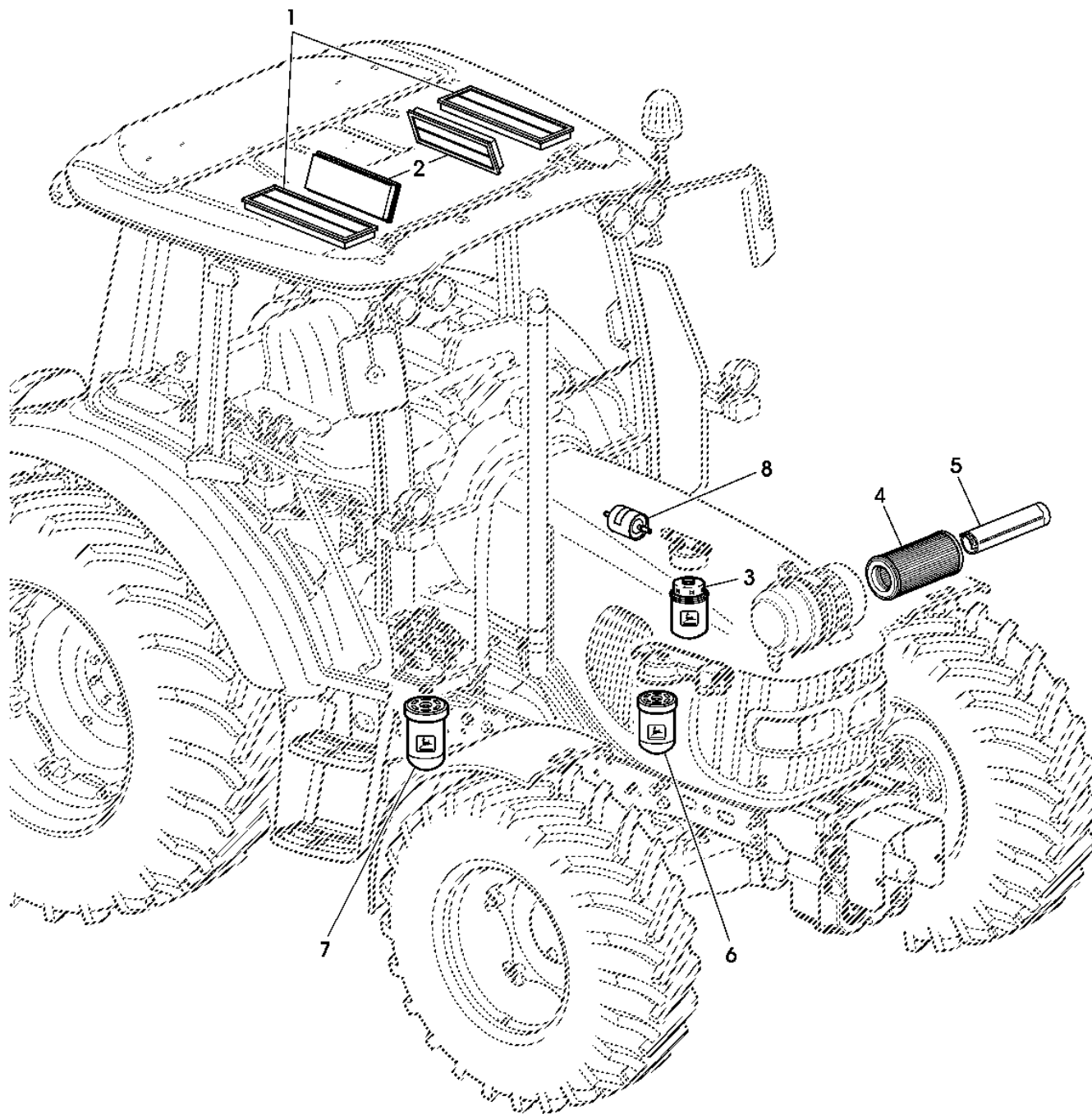
**SECTION INDEX**

GENERAL INFORMATION . . . . .	10
FILTER . . . . .	15
ENGINE . . . . .	20
ELECTRICAL COMPONENTS . . . . .	40
HYDRAULICS . . . . .	70
FRONT AXLES . . . . .	80
OPERATORS STATION . . . . .	90
NUMERICAL INDEX . . . . .	180

ALPHABETICAL INDEX

A	PAGE	M	PAGE
AIR COMFORT SEAT MSG93 .....	90-7	MIRROR, OUTSIDE .....	90-4
AIR COMFORT SEAT MSG93, REPAIR KITS .....	90-8	MOTOR, STARTING .....	40-2
AIR COMFORT SEAT MSG93, REPAIR KITS .....	90-10	MSG93, AIR COMFORT SEAT .....	90-7
ALTERNATOR .....	40-5	MSG93, REPAIR KITS, AIR COMFORT SEAT .....	90-8
ATTACHING PARTS/ BATTERY .....	40-4	MSG93, REPAIR KITS, AIR COMFORT SEAT .....	90-10
<b>B</b>		<b>O</b>	
BATTERY / ATTACHING PARTS .....	40-4	OPERATOR'S CAB-WINDOWS .....	90-2
BEARINGS, JOINT HOUSING, FWD AXLE .....	80-1	OUTSIDE MIRROR .....	90-4
BELT, DRIVE .....	20-5	OVERVIEW, BULB .....	40-8
BULB OVERVIEW .....	40-8	OVERVIEW, FILTER .....	15-2
<b>C</b>		<b>P</b>	
CAB WINDOWS, OPERATOR .....	90-2	PUMP, HYDRAULIC 23/28 CM3 .....	70-2
CODES USED IN "REMARKS" COLUMN FOR MAINTENANCE .....	10-1	<b>Q</b>	
COOLANT HOSES/ RADIATOR/ FAN SHROUD .....	20-6	QUICK DISCONNECT COUPLERS .....	70-1
CYLINDER, GAS OPERATED .....	90-1	<b>R</b>	
<b>D</b>		RADIATOR / FAN SHROUD / COOLANT HOSES .....	20-6
DIODES, FUSES, RELAYS .....	40-6	RELAYS, DIODES, FUSES .....	40-6
DRIVE BELT .....	20-5	REPAIR KITS FOR AIR COMFORT SEAT MSG93 .....	90-8
<b>F</b>		REPAIR KITS FOR AIR COMFORT SEAT MSG93 .....	90-10
FAN SHROUD / COOLANT HOSES/ RADIATOR .....	20-6	<b>S</b>	
FILTER OVERVIEW .....	15-2	SEAT, AIR COMFORT, MSG893 .....	90-7
FUSES, RELAYS, DIODES .....	40-6	SECTION INDEX .....	10-2
FWD AXLE JOINT HOUSING BEARINGS .....	80-1	SECTION INDEX .....	10-3
<b>G</b>		STARTING MOTOR .....	40-2
GAS OPERATED CYLINDER .....	90-1	<b>T</b>	
GEAR, IDLE (LOWER) .....	20-2	THERMOSTAT .....	20-4
<b>H</b>		TIMING GEAR COVER, WATER PUMP, LOWER IDLE GEAR .....	20-2
HYDRAULIC PUMP 23/28 CM3 .....	70-2	<b>W</b>	
<b>I</b>		WATER PUMP, LOWER IDLE GEAR, TIMING GEAR COVER .....	20-2
IDLE GEAR (LOWER) .....	20-2	WINDOW WIPER .....	90-6
<b>J</b>		WINDOWS, CAB, OPERATOR .....	90-2
JOINT HOUSING BEARINGS, FWD AXLE .....	80-1	<b>L</b>	
<b>L</b>		LOWER IDLE GEAR, TIMING GEAR COVER, WATER PUMP .....	20-2

**FILTER OVERVIEW**  
LX046504 -UN-10MAR05



**LX046504**

FILTER

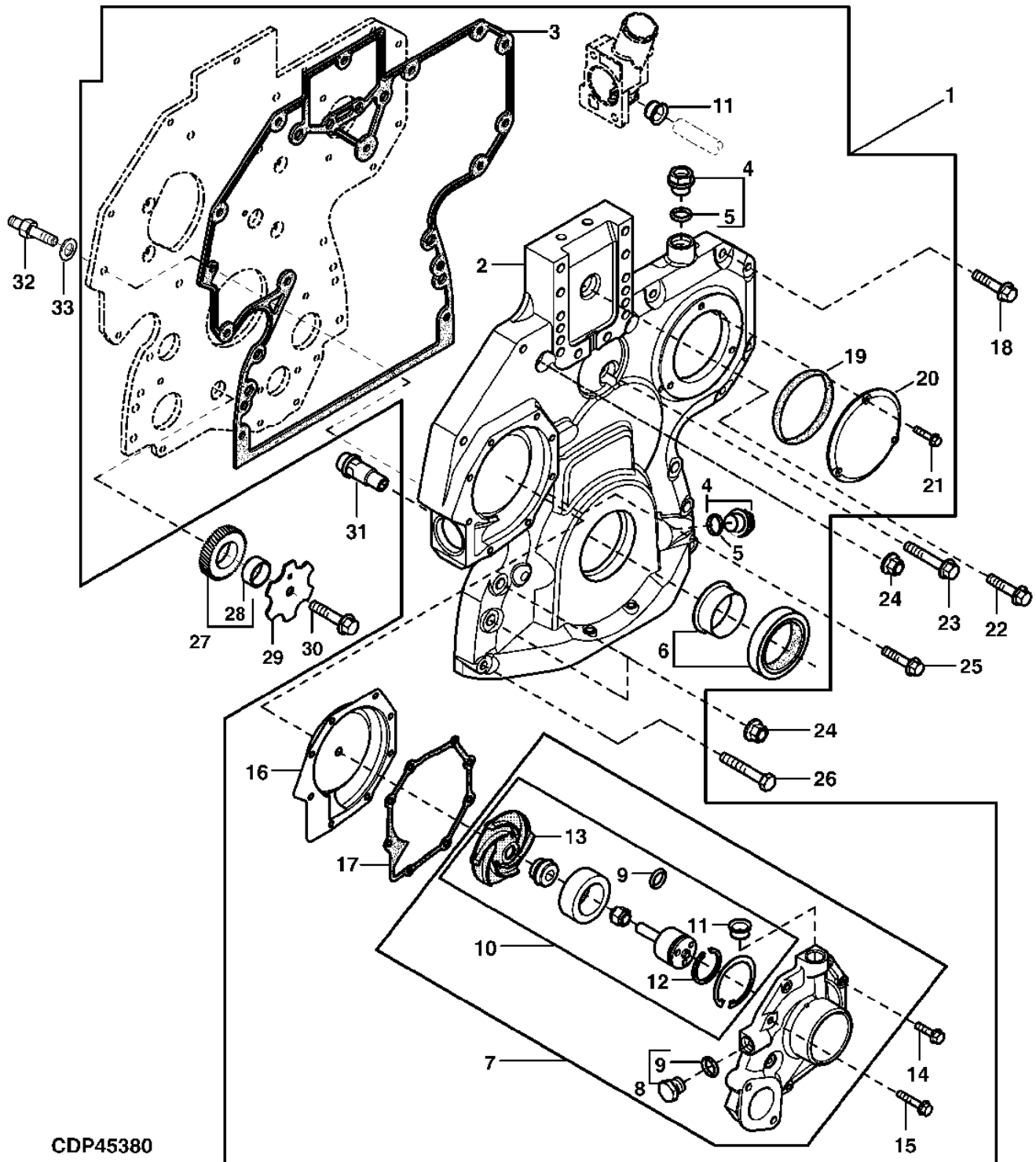
KEY	PART NO.	PART NAME	QTY	SERIAL NO.	REMARKS
				5 5 5	
				6 7 8	
				2 2 2	
				0 0 0	
1	RE198488	AIR FILTER	2		X X X
2	RE195491	AIR FILTER	2		X X X (A)
	R198887	FILTER	2		X X X (B)
3	RE62419	FUEL FILTER	1		X X X
4	AZ55542	FILTER ELEMENT	1		X X X
5	AZ55541	FILTER ELEMENT	1		X X X
6	RE504836	OIL FILTER	1		X X X (SUB FOR RE507522)
7	AL118036	HYDRAULIC FILTER	1		X X X
8	AL153517	FUEL FILTER	1		X X X (C)

(A) WITH AIR CONDITIONING

(B) WITHOUT AIR CONDITIONING

(C) USE WITH BOSCH VP44 INJECTION PUMP ONLY

**TIMING GEAR COVER, WATER PUMP, LOWER IDLE GEAR**  
 CDP45380 -UN-22NOV02



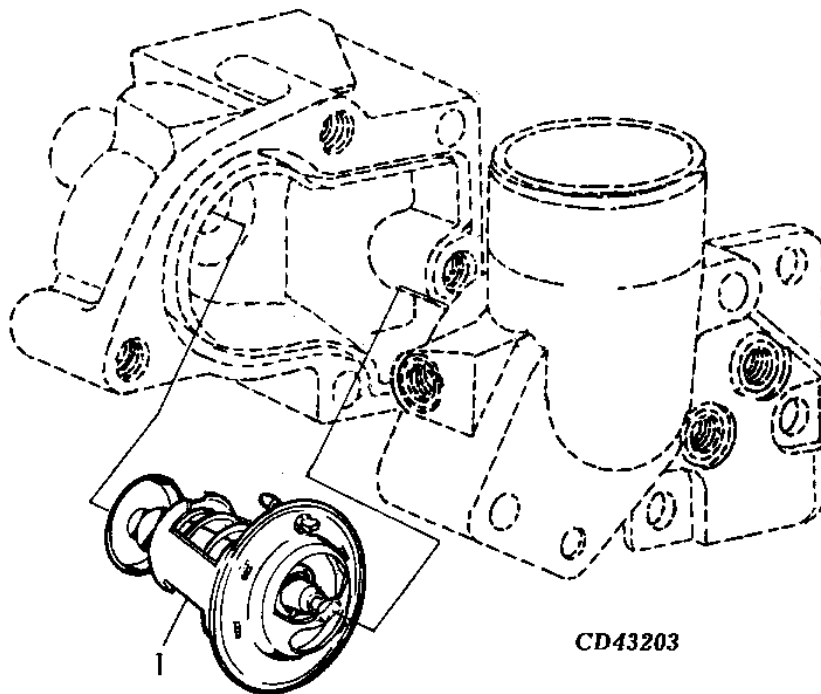
CDP45380

## ENGINE

KEY	PART NO.	PART NAME	QTY	ENGINE			REMARKS
				SERIAL NO.	5 5 5	6 7 8	
1	RE516674	KIT	1		X X X		(ORD W/ R61105, RE505501)
2	.....	COVER	1		X X X		(MARKED R504725 ) NSEP (ORD RE516674)
3	R136516	GASKET	1		X X X		
4	RE517370	FITTING	1		X X X		M20 X 1.5, (SUB FOR RE501938)
5	51M7044	O-RING	1		X X X		17.300 X 2.200 MM
6	RE516340	SEAL KIT	1		X X X		(SUB FOR RE59810)
7	RE505981	WATER PUMP	1		X X X		(ORD W/ R123417, RE501938)
8	RE46685	FITTING PLUG	1		X X X		M18 X 1.5
9	51M7043	O-RING	1		X X X		15.300 X 2.200 MM
10	RE515314	KIT	1		X X X		(ORD W/ R123417, R123226)
11	R123226	GASKET	1		X X X		
12	A364R	SNAP RING	1		X X X		
13	.....	IMPELLER	1		X X X		NSEP (MARKED R121036 ) (ORD RE515314)
14	19M7863	SCREW	5		X X X		M6 X 25, (10.9)
15	19M7796	SCREW	2		X X X		M6 X 30, (10.9)
16	RE508566	KIT	1		X X X		
17	R123417	GASKET	1		X X X		
18	19M8317	SCREW	6		X X X		M8 X 40, (10.9)
19	R121424	O-RING	1		X X X		
20	R121411	COVER	1		X X X		
21	19M7775	SCREW	3		X X X		M6 X 16, (10.9)
22	19M8291	SCREW	1		X X X		M8 X 35, (10.9)
23	RE67239	SCREW	1		X X X		
24	14M7296	FLANGE NUT	6		X X X		M10
25	19M7801	SCREW	1		X X X		M8 X 60, (10.9)
26	19M7979	SCREW	2		X X X		M8 X 55, (10.9)
27	RE56369	GEAR	1		X X X		Z= 43, (MARKED R120636)
28	R114193	BUSHING	1		X X X		
29	R131283	THRUST WASHER	1		X X X		11 X 60 X 3 MM
30	19M8292	SCREW	1		X X X		M10 X 50, (10.9)
31	RE505501	BLEED VALVE	1		X X X		
32	R517485	STUD	1		X X X		(10.9)
33	12M7056	LOCK WASHER	1		X X X		8 MM



**THERMOSTAT**  
 CD43203 -UN-30APR99

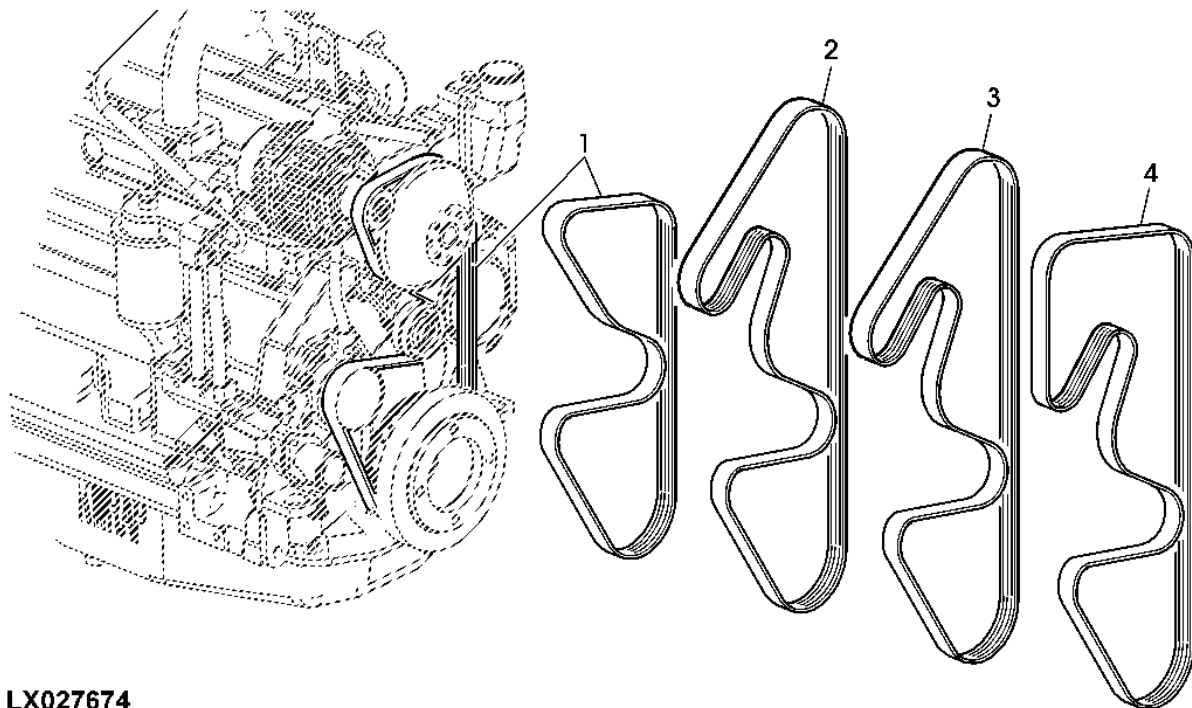


**CD43203**

5 5 5  
 6 7 8  
 2 2 2  
 0 0 0

KEY	PART NO.	PART NAME	QTY	ENGINE SERIAL NO.	REMARKS
1	RE517011	THERMOSTAT	1	X X X 78°C	

**DRIVE BELT**  
LX027674 -UN-24AUG01



**LX027674**

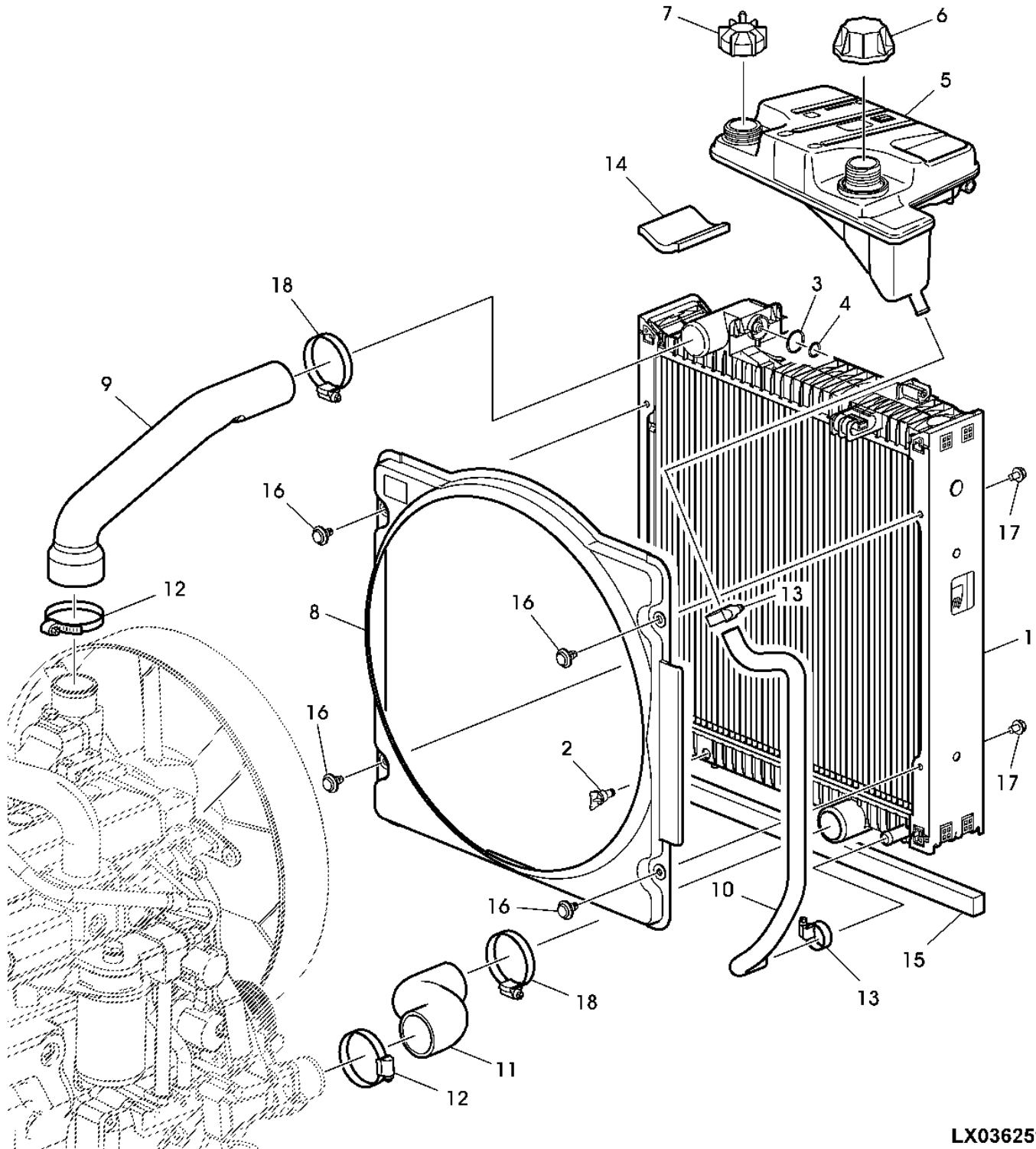
5 5 5  
6 7 8  
2 2 2  
0 0 0

KEY	PART NO.	PART NAME	QTY	SERIAL NO.	REMARKS
1	L114489	V-BELT	1	X X X	LGTH= 1930MM (75-63/64")
2	L114290	V-BELT	1	X X X	(A) LGTH= 2385MM (93-15/16")
3	L111601	V-BELT	1	X X	(B) LGTH= 2475MM (97-7/16")
	L111600	V-BELT	1	X	(B) LGTH= 2460MM (96-27/32")
4	L114293	V-BELT	1	X X	(A) (B) LGTH= 2525MM (99-13/32")
	L114468	V-BELT	1	X	(A) (B) LGTH= 2515MM (99-1/64")

(A) WITH TRAILER AIR BRAKES

(B) WITH AIR CONDITIONING

**RADIATOR / FAN SHROUD / COOLANT HOSES**  
 LX036259 -UN-29AUG03

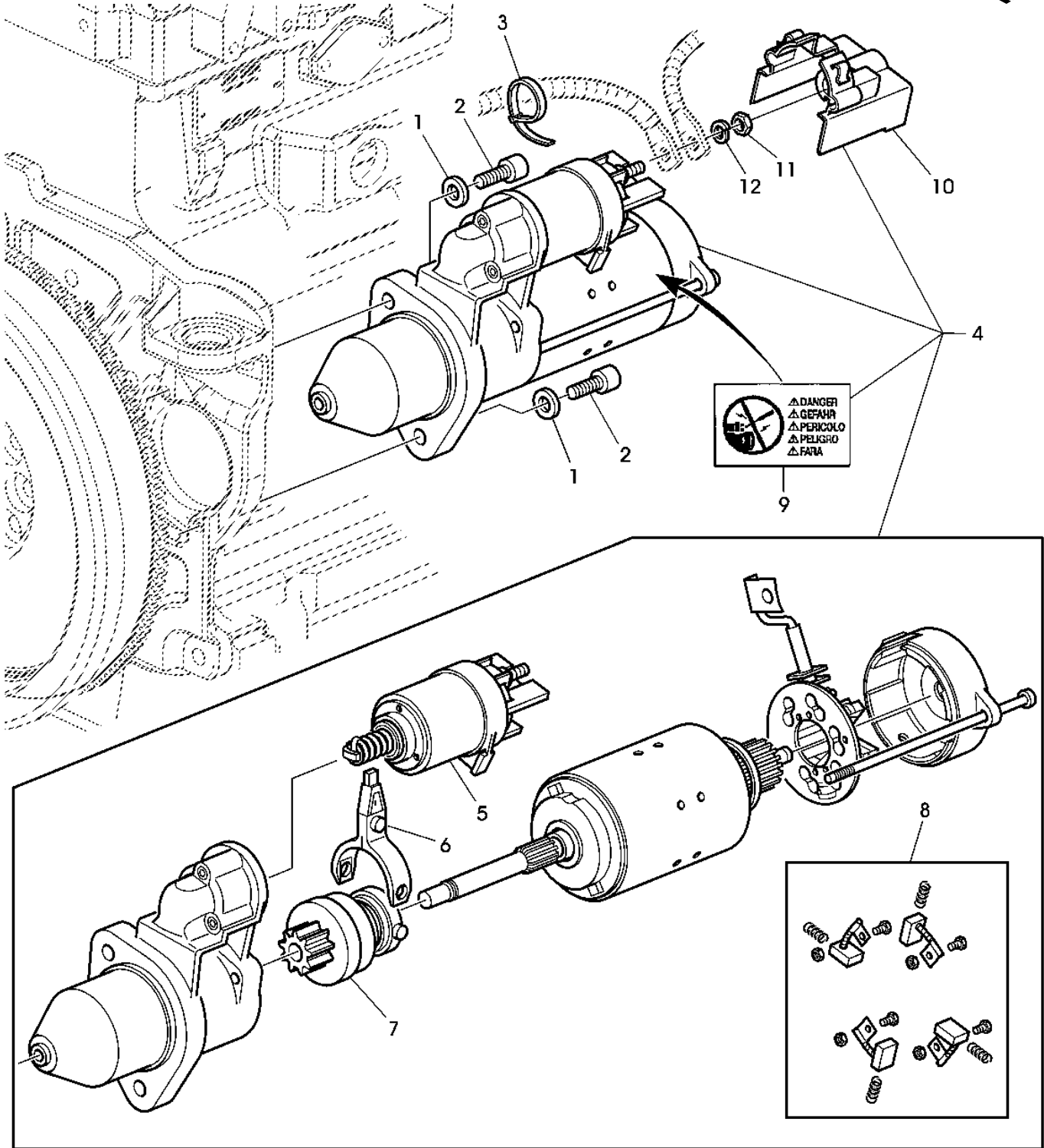


**LX036259**

ENGINE

KEY	PART NO.	PART NAME	QTY	SERIAL NO.	5 5 5 6 7 8 2 2 2 0 0 0	REMARKS
1	RE212133	RADIATOR	1		X X X	INKL KEYS 2, 3, 4, 5
2	RE211285	DRAIN PLUG	1		X X X	
3	L56775	O-RING	1		X X X	
4	L77578	O-RING	1		X X X	INKL KEYS 6, 7
5	RE194954	TANK	1		X X X	
6	AL76661	FILLER CAP	1		X X X	
7	AL78005	FILLER CAP	1		X X X	
8	R205285	SHROUD	1		X X X	
9	R192722	HOSE	1		X X X	
10	R204424	HOSE	1		X X X	
11	R205961	HOSE	1		X X X	
12	AL170672	CLAMP	4		X X X	(SUB FOR AL112931)
13	AL37451	CLAMP	2		X X X	
14	L79909	PAD	1		X X X	(SUB FOR R206921)
15	L151877	GASKET	1		X X X	
16	R199960	RIVET	4		X X X	
17	19M7864	SCREW	4		X X X	M8 X 12
18	TY22470	CLAMP	2		X X X	(SUB FOR AR21840)

STARTING MOTOR  
LX042255 -UN-28JUL04



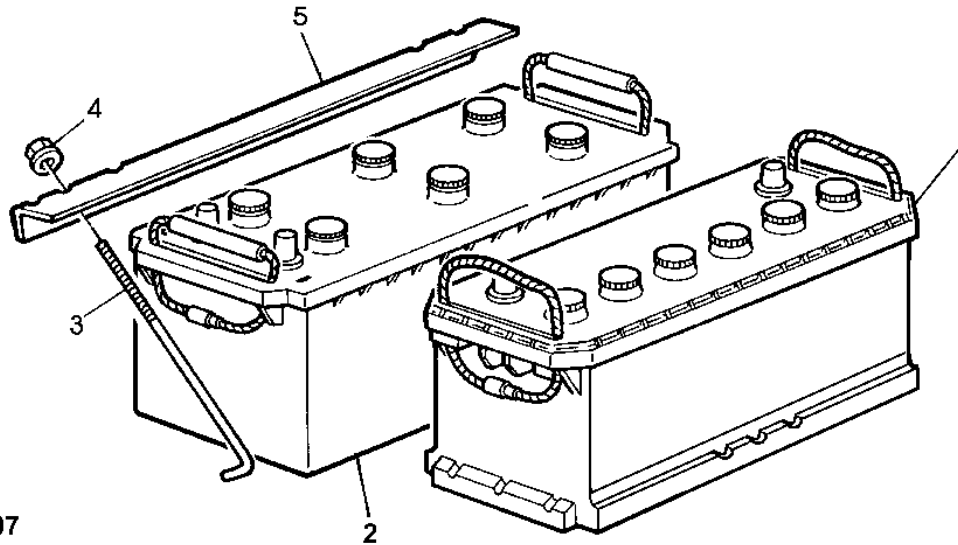
LX042255

ELECTRICAL COMPONENTS

KEY	PART NO.	PART NAME	QTY	SERIAL NO.	REMARKS
				5 5 5	
				6 7 8	
				2 2 2	
				0 0 0	
1	24M7096	WASHER	2		
2	19M8338	SCREW	2		M10 X 40
3	H77698	TIE BAND	1		
4	RE519975	STARTER MOTOR KIT	1		(MARKED RE506589)
5	RE501911	SOLENOID	1		
6	R501143	SHIFTER	1		
7	RE519976	STARTER MOTOR DRIVE	1		
8	RE508815	CARBON BRUSH CONDUCTOR	1		
9	R116617	LABEL	1		
10	AL110505	COVER	1		
11	14M7274	NUT	1		M10
12	12M7135	LOCK WASHER	1		

## BATTERY / ATTACHING PARTS

LX019807 -UN-05AUG98

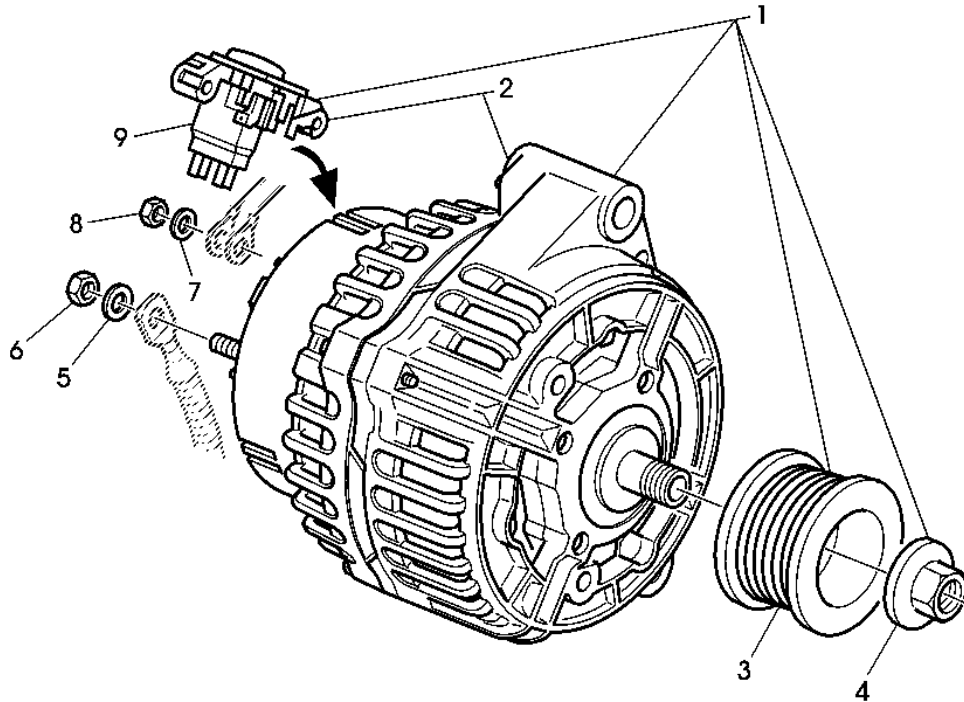


LX019807

KEY	PART NO.	PART NAME	QTY	SERIAL NO.	REMARKS
				5 5 5	
				6 7 8	
				2 2 2	
				0 0 0	
1	AL75644	DRY CHARGED BATTERY	1	X X X	12V, 110AH, 500A
2	AL119623	DRY CHARGED BATTERY	1	X X X	12V, 154AH, 700A
3	L116540	HOOK BOLT	2	X X X	
4	14M7397	LOCK NUT	2	X X X	M6
5	L151959	ANGLE	1	X X X	

## ALTERNATOR

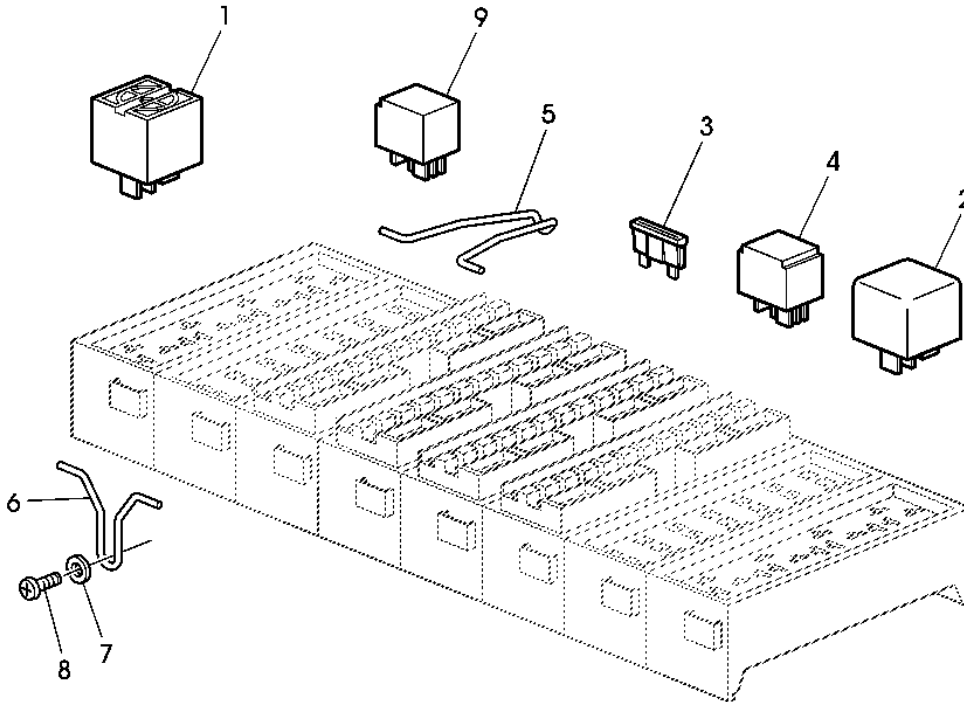
LX034125 -UN-25FEB03



## LX034125

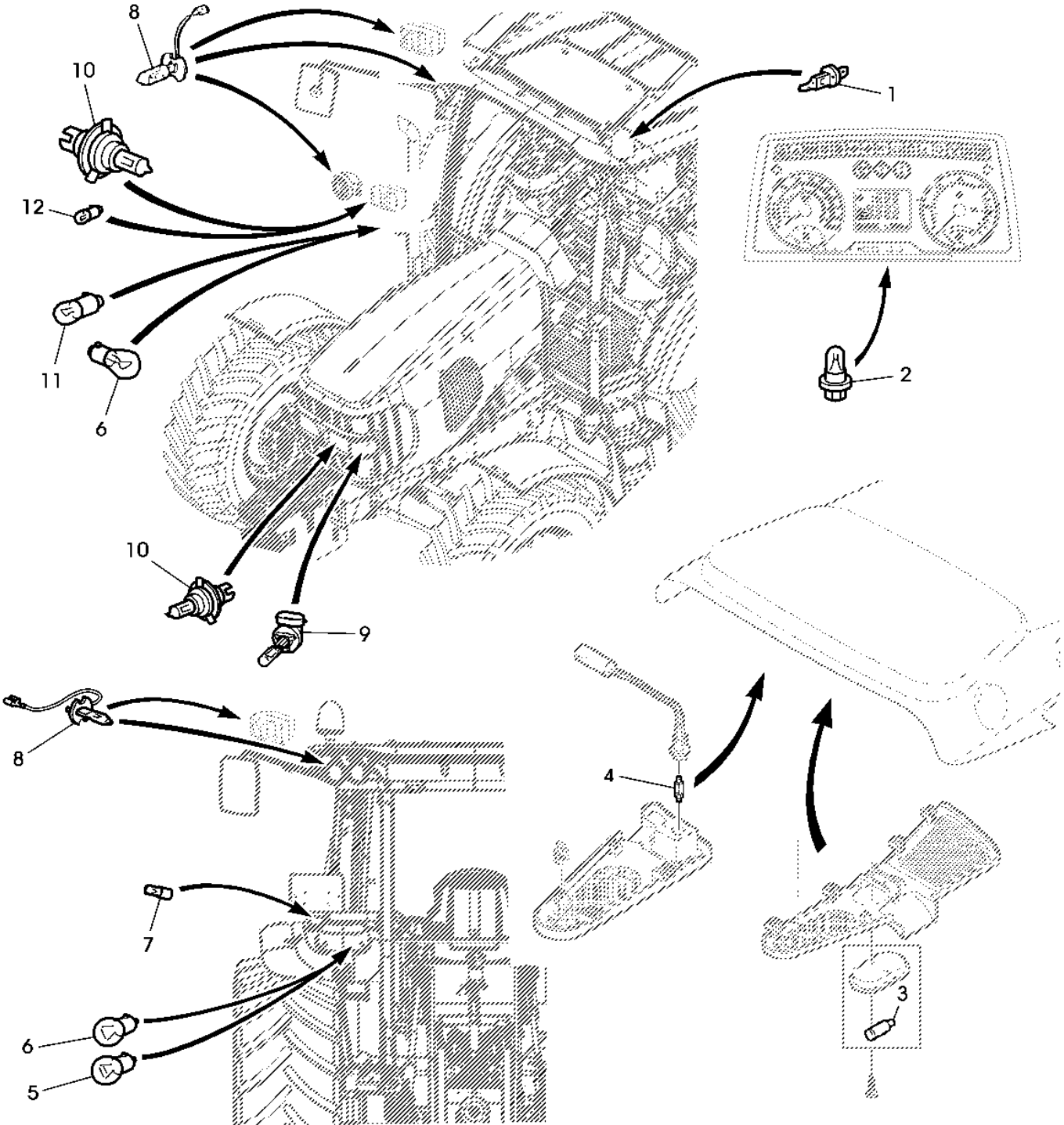
KEY	PART NO.	PART NAME	QTY	SERIAL NO.	REMARKS
				5 5 5	
				6 7 8	
				2 2 2	
				0 0 0	
1	RE204426	ALTERNATOR	1	X X X	14V/95A, W/O KEY 2
2	AL111676	ALTERNATOR	1	X X X	14V/115A
3	R205512	PULLEY	1	X X X	FOR RE204426
	L112969	PULLEY WITH DAMPENER	1	X X X	FOR AL111676
4	R205549	FLANGE NUT	1	X X X	FOR RE204426
	L78085	FLANGE NUT	1	X X X	FOR AL111676
5	24M7055	WASHER	1	X X X	
6	14M7273	NUT	1	X X X	M8
7	24M7027	WASHER	1	X X X	
8	14M7297	NUT	1	X X X	M5
9	RE205511	REGULATOR	1	X X X	FOR RE204426
	AL155404	REGULATOR	1	X X X	FOR AL111676



**FUSES, RELAYS, DIODES**  
 LX034195 -UN-25FEB03
**LX034195**

KEY	PART NO.	PART NAME	QTY	TRACTOR SERIAL NO.			REMARKS
				5	6	7	
				5	5	5	
				6	7	8	
				2	2	2	
				0	0	0	
1	AL159759	SENDER	AR	X	X	X	
2	AL77324	RELAY	AR	X	X	X	
3	57M7121	FUSE	AR	X	X	X	10A
	99M7065	FUSE	AR	X	X	X	15A
	57M7120	FUSE	AR	X	X	X	20A
	57M7146	FUSE	AR	X	X	X	30A
4	AL76702	RELAY	AR	X	X	X	
5	L151918	BAIL	2	X	X	X	
6	L151919	BRACKET	2	X	X	X	
7	24M7146	WASHER	4	X	X	X	
8	37M7179	SCREW	4	X	X	X	
9	AL152098	DIODE HOLDER	AR	X	X	X	

**BULB-OVERVIEW**  
PY001611 -UN-06JUN06

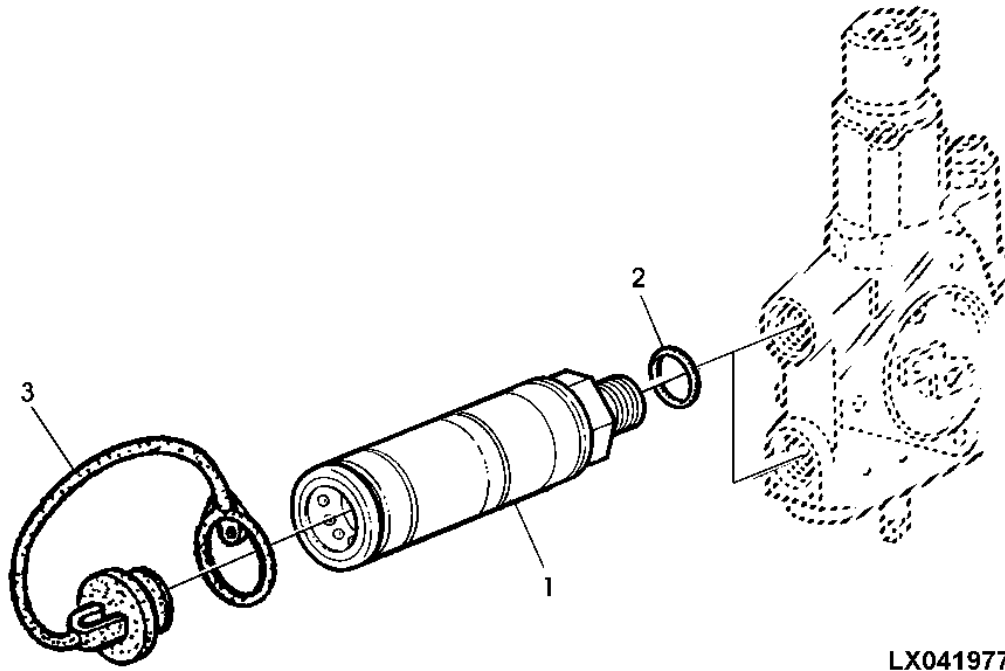


PY001611

ELECTRICAL COMPONENTS

KEY	PART NO.	PART NAME	QTY	SERIAL NO.	REMARKS
				5 5 5	
				6 7 8	
				2 2 2	
				0 0 0	
1	57M7019	BULB	AR	X X X	
2	AL65575	BULB	AR	X X X	1,2W
	AL117814	LAMP	AR	X X X	3W
	AL117815	LAMP	AR	X X X	1,1W
3	57M6511	BULB	AR	X X X	10W (SUB FOR RE200798)
4	AR48015	BULB	AR	X X X	
5	M136357	BULB	AR	X X X	12V, 21/5W (SUB FOR 57M7011)
6	R133301	BULB	AR	X X X	12V, 21W (SUB FOR 57M7014)
7	57M7013	BULB	AR	X X X	
8	AT130104	BULB	AR	X X X	
9	R136239	BULB	AR	X X X	12.8V, 50W (SUB FOR 57M7358)
10	57M7166	BULB	AR	X X X	H4-12V60/55W
11	57M6498	BULB	AR	X X X	12V5W
12	57M6394	BULB	AR	X X X	12V4W

**QUICK DISCONNECT COUPLERS**  
LX041977 -UN-25JUN04

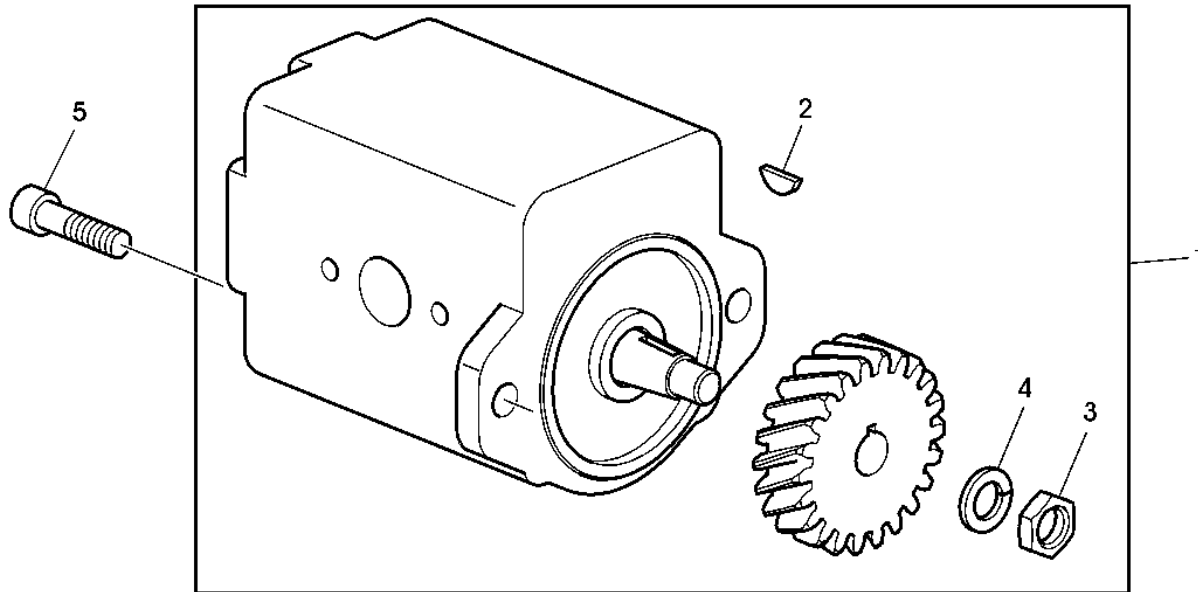


**LX041977**

5 5 5  
6 7 8  
2 2 2  
0 0 0

KEY	PART NO.	PART NAME	QTY	SERIAL NO.	REMARKS
1	AL166181	HYDR.QUICK COUPLER SOCKET	AR		
2	51M7045	O-RING	AR		
3	L62751	DUST SHIELD	AR		

**HYDRAULIC PUMP 23/28 CM3**  
LX034497 -UN-24FEB03

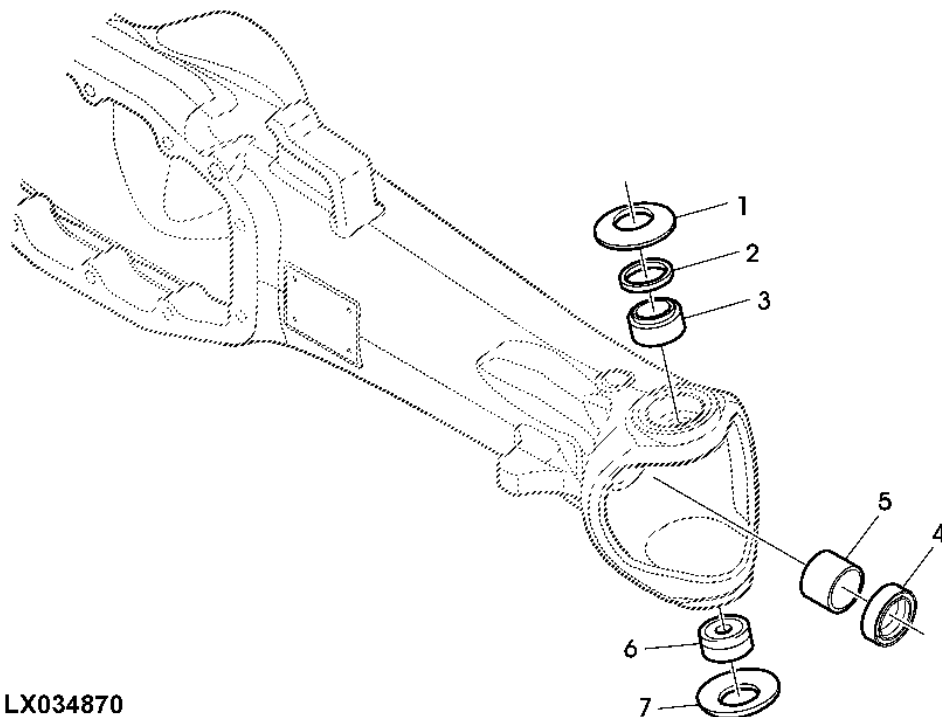


**LX034497**

5 5 5  
6 7 8  
2 2 2  
0 0 0

KEY	PART NO.	PART NAME	QTY	SERIAL NO.	REMARKS
1	RE200379	HYDRAULIC PUMP	1	X X X	23CM3
	RE200380	HYDRAULIC PUMP	1	X X X	28CM3
2	26M4222	SHAFT KEY	1	X X X	
3	14M7304	NUT	1	X X X	M12
4	12M7058	LOCK WASHER	1	X X X	
5	19M8867	SCREW	2	X X X	M10 X 35

**FWD-AXLE, JOINT HOUSING BEARINGS**  
LX034870 -UN-18MAR03



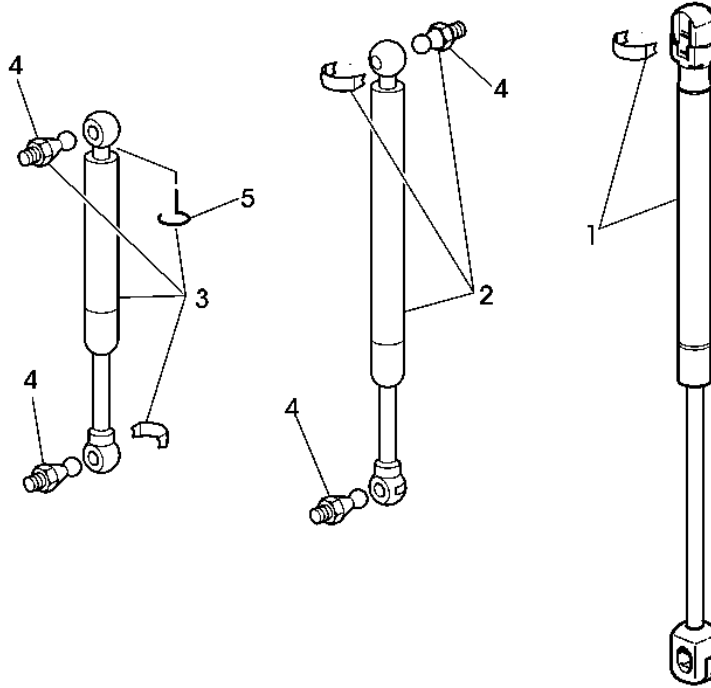
**LX034870**

5 5 5  
6 7 8  
2 2 2  
0 0 0

REMARKS

KEY	PART NO.	PART NAME	QTY	SERIAL NO.	REMARKS
1	R121593	WASHER	2	X X X	
2	R204271	BUSHING	2	X X X	(SUB FOR R122218)
3	R113780	BUSHING	2	X X X	
4	RE204829	SEAL	2	X X X	
5	R204818	BUSHING	2	X X X	
6	RE45896	BEARING	2	X X X	
7	R121594	WASHER	2	X X X	

**GAS OPERATED CYLINDER**  
LX034985 -UN-24JUN03



**LX034985**

5 5 5  
6 7 8  
2 2 2  
0 0 0

KEY	PART NO.	PART NAME	QTY	SERIAL NO.	REMARKS
1	RE206116	GAS OPERATED CYLINDER	1	X X X	(A)
2	AL114803	GAS OPERATED CYLINDER	1	X X X	(C) (D)
3	AL151278	GAS OPERATED CYLINDER	1	X X X	(B)
4	R237474	BALL STUD	1	X X X	(FOR AL114803, AL151278) (SUB FOR R97588)
5	56M7007	BALL JOINT RETAINER	1	X X X	

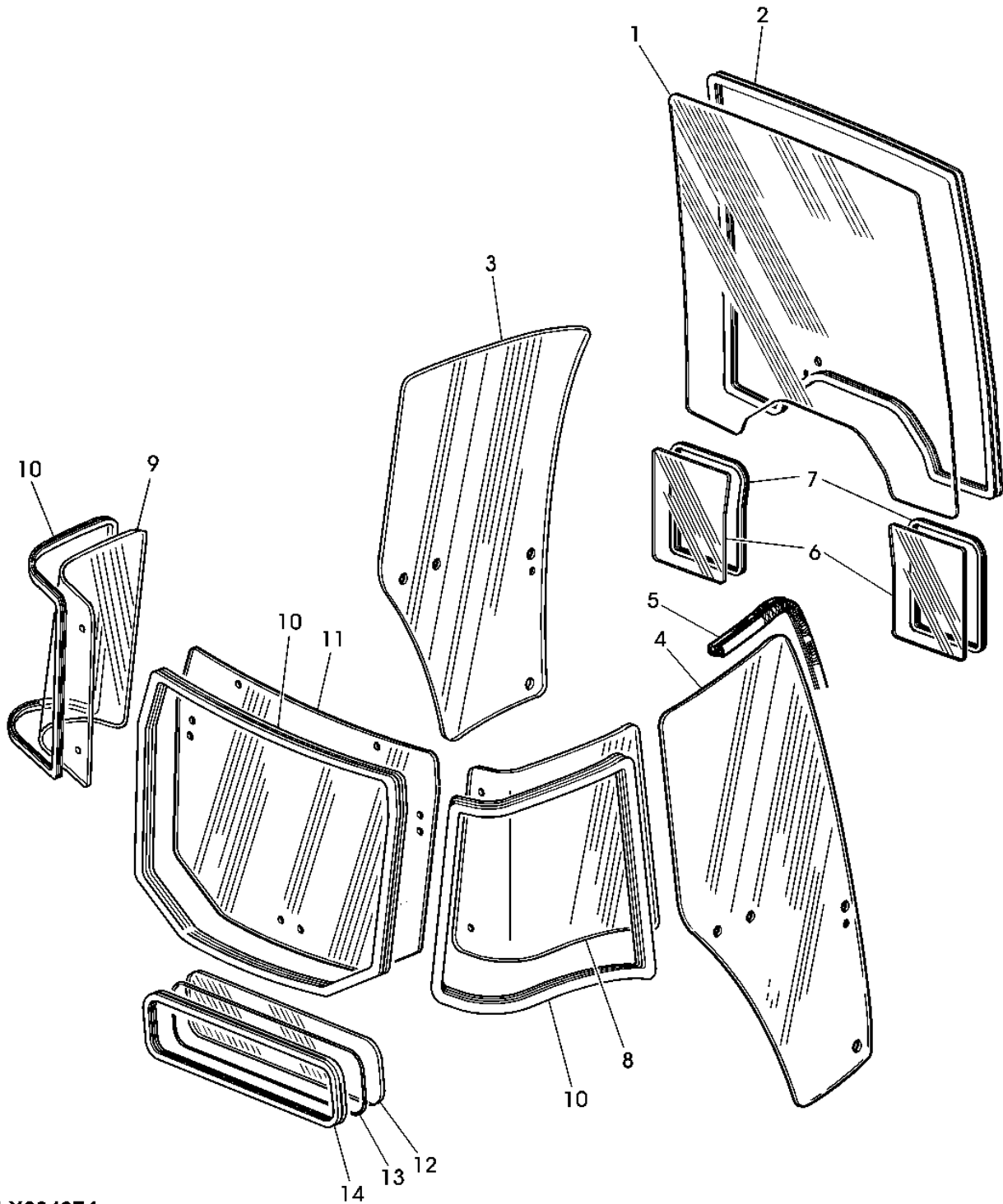
(A) FOR HOOD

(B) FOR DOORS

(C) FOR REAR WINDOW

(D) FOR FRONT WINDOW

**OPERATOR'S CAB-WINDOWS**  
LX034974 -UN-23JUN03



**LX034974**



OPERATORS STATION

KEY	PART NO.	PART NAME	QTY	SERIAL NO.	REMARKS
				5 5 5	
				6 7 8	
				2 2 2	
				0 0 0	
1	R219644	WINDSHIELD	1	X X X	(A) (SUB FOR R201539, R202019)
	R224417	WINDSHIELD	1	X X X	(B) (C) (SUB FOR R201577)
	R224416	WINDSHIELD	1	X X X	(B) (D) (SUB FOR R202078)
2	R233430	WEATHERSTRIP	1	X X X	(A)
	R234874	WEATHERSTRIP	1	X X X	(B) (SUB FOR R206829)
3	R198624	DOOR	1	X X X	LH
4	R198625	DOOR	1	X X X	RH
5	R234874	WEATHERSTRIP	2	X X X	(SUB FOR R180118)
6	R199280	WINDOWPANE	1	X X X	
7	R233430	WEATHERSTRIP	1	X X X	(SUB FOR R177888)
8	R201575	WINDOW	1	X X X	RH
9	R201574	WINDOW	1	X X X	LH
10	R234874	WEATHERSTRIP	1	X X X	(SUB FOR R193788)
11	R206835	WINDOWPANE	1	X X X	
12	R198147	WINDOWPANE	1	X X X	
13	R198149	SEAL	1	X X X	
14	R198148	ISOLATOR	1	X X X	

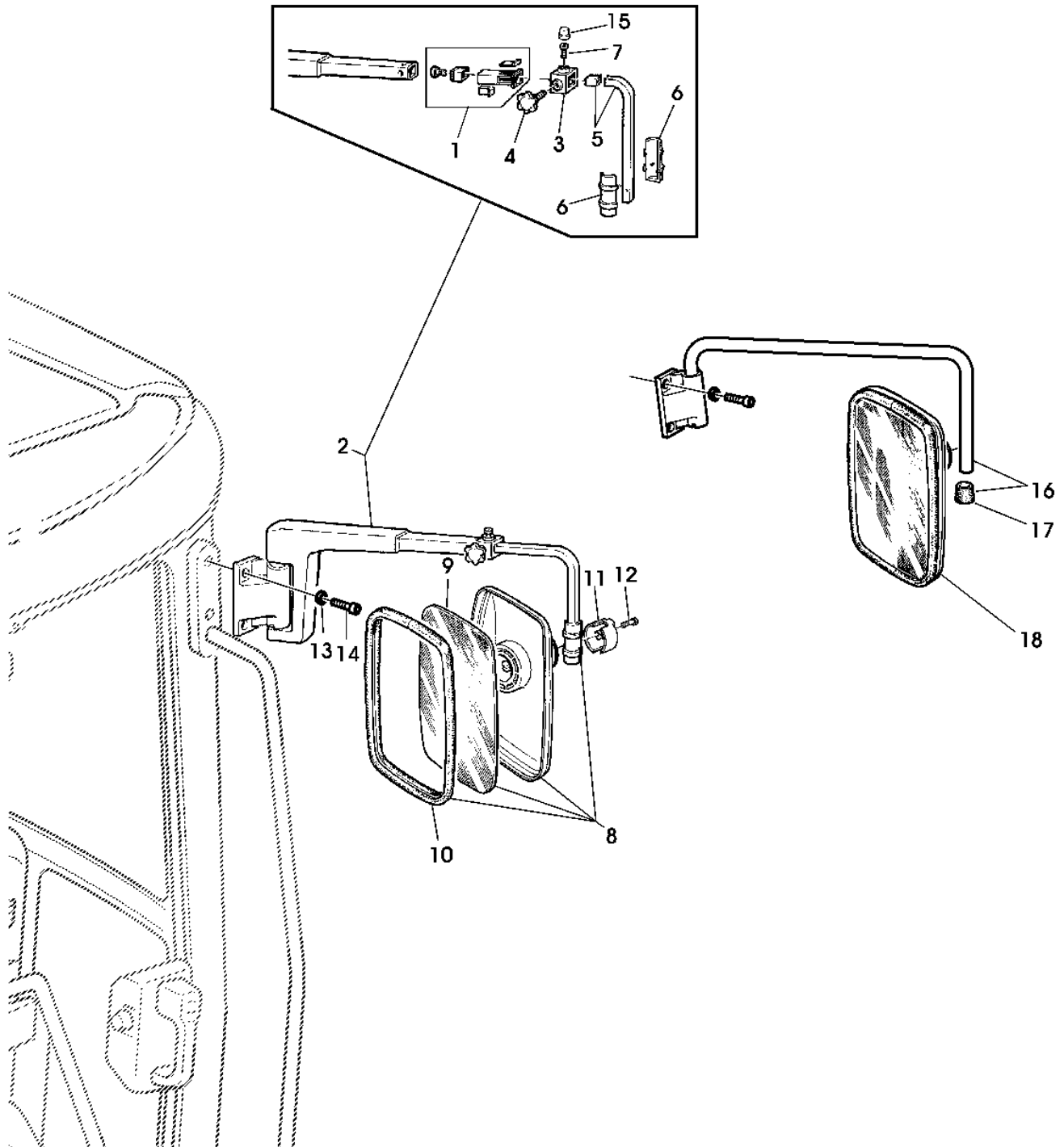
(A) WINDSHIELD, NOT TILTABLE

(B) WITH HINGED WINDSHIELD

(C) WITH CAB WITH FLAT FLOOR

(D) WITH LOW PROFILE CAB

OUTSIDE MIRROR  
LX042234 -UN-10AUG04



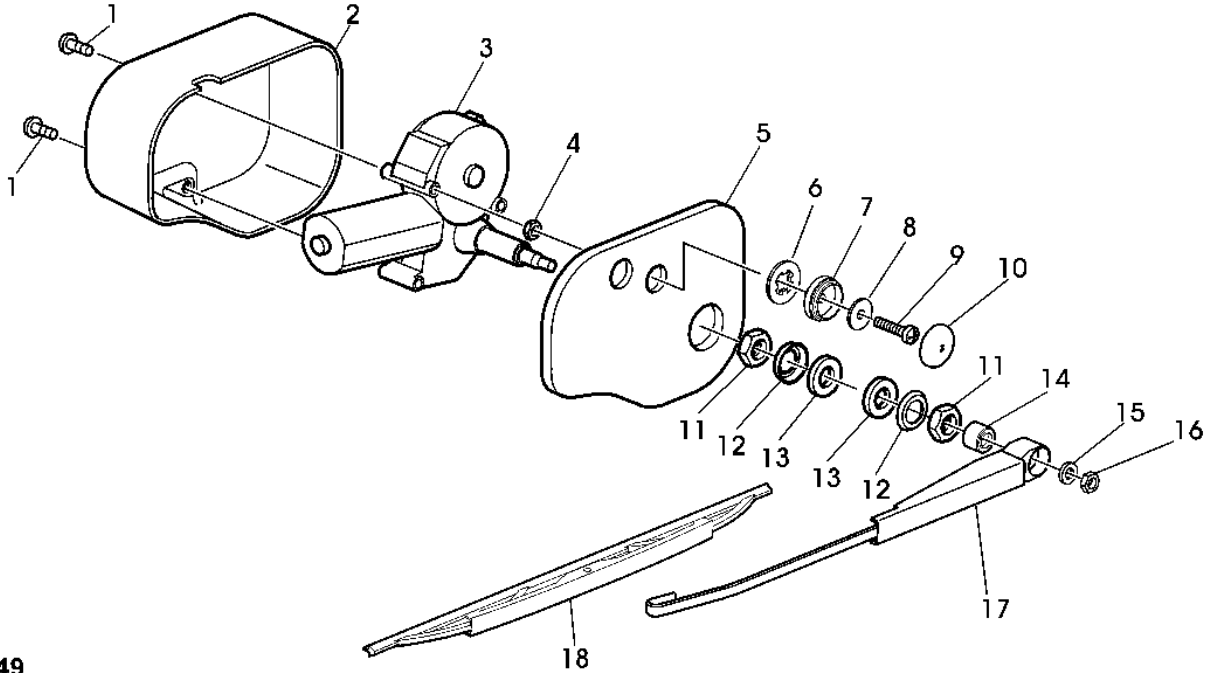
LX042234

OPERATORS STATION

KEY	PART NO.	PART NAME	QTY	SERIAL NO.	REMARKS
				5 5 5	
				6 7 8	
				2 2 2	
				0 0 0	
1	AL78834	KIT	1	X X X	
2	AL77483	BRACKET	1	X X X	(A) LH
	AL77484	BRACKET	1	X X X	(A) RH
3	L78174	STRUCTURAL TUBING	1	X X X	
4	L78176	KNOB	1	X X X	
5	L78173	ROD	1	X X X	
6	L79784	ADAPTER FITTING	2	X X X	
7	21M7246	SCREW	1	X X X	M6 X 16, (SUB FOR 21M7430)
8	AL78021	REAR VIEW MIRROR	2	X X X	(A)
9	L79776	REAR VIEW MIRROR GLASS	1	X X X	(A)
10	L79777	SOCKET	1	X X X	(A)
11	L79778	HOLDER	1	X X X	(A)
12	21M7248	SCREW	4	X X X	(A) M6 X 30, (SUB FOR 21M7423)
13	24M7362	WASHER	4	X X X	
14	19M7660	SCREW	4	X X X	M8 X 20, (10.9)
15	L38797	CAP	1	X X X	
16	AL77485	HOLDER	1	X X X	LH
	AL77486	RETAINER	1	X X X	RH
17	L79775	CAP	2	X X X	
18	AL158964	REAR VIEW MIRROR	2	X X X	
..	AL80126	REAR VIEW MIRROR	1	X X X	(A) LH
..	AL80127	REAR VIEW MIRROR	1	X X X	(A) RH

(A) OUTSIDE MIRROR, TELESCOPIC (CAB)

**WINDOW WIPERS**  
LX033349 -UN-04DEC02



**LX033349**

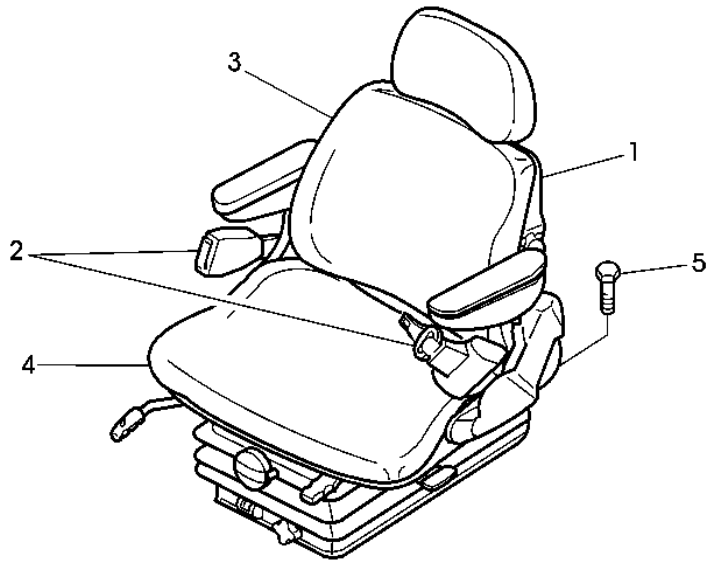
5 5 5  
6 7 8  
2 2 2  
0 0 0

KEY	PART NO.	PART NAME	QTY	SERIAL NO.	REMARKS
1	19M8649	SCREW	2	X X X	M6 X 20
2	R213305	COVER	1	X X X	
3	RE201978	WIPER MOTOR	1	X X X	(A)
	RE201977	WIPER MOTOR	1	X X X	(B)
4	14M7194	NUT	1	X X X	M6
5	R213260	ISOLATOR	1	X X X	
6	L78704	SEALING WASHER	1	X X X	
7	L78705	BUSHING	1	X X X	
8	24M7100	WASHER	1	X X X	(SUB FOR 24M7309)
9	21M7327	SCREW	1	X X X	M6 X 35
10	L78703	CAP	1	X X X	
11	R201834	NUT	2	X X X	
12	R201835	WASHER	2	X X X	
13	R201836	WASHER	2	X X X	
14	R201837	CAP	1	X X X	
15	12M7032	LOCK WASHER	1	X X X	(SUB FOR 12M7022)
16	14M7151	NUT	1	X X X	M8
17	RE224723	WIPER ARM	1	X X X	(SUB FOR RE201979, RE216867)
18	RE201980	WIPER BLADE	1	X X X	
..	<b>LG100019</b>	<b>FIELD INSTALLATION KIT</b>	<b>1</b>	<b>X X X</b>	<b>(B)</b>

(A) FRONT WINDSHIELD WIPER

(B) REAR WIPER

**AIR COMFORT SEAT MSG93**  
 LX042320 -UN-26JUL04

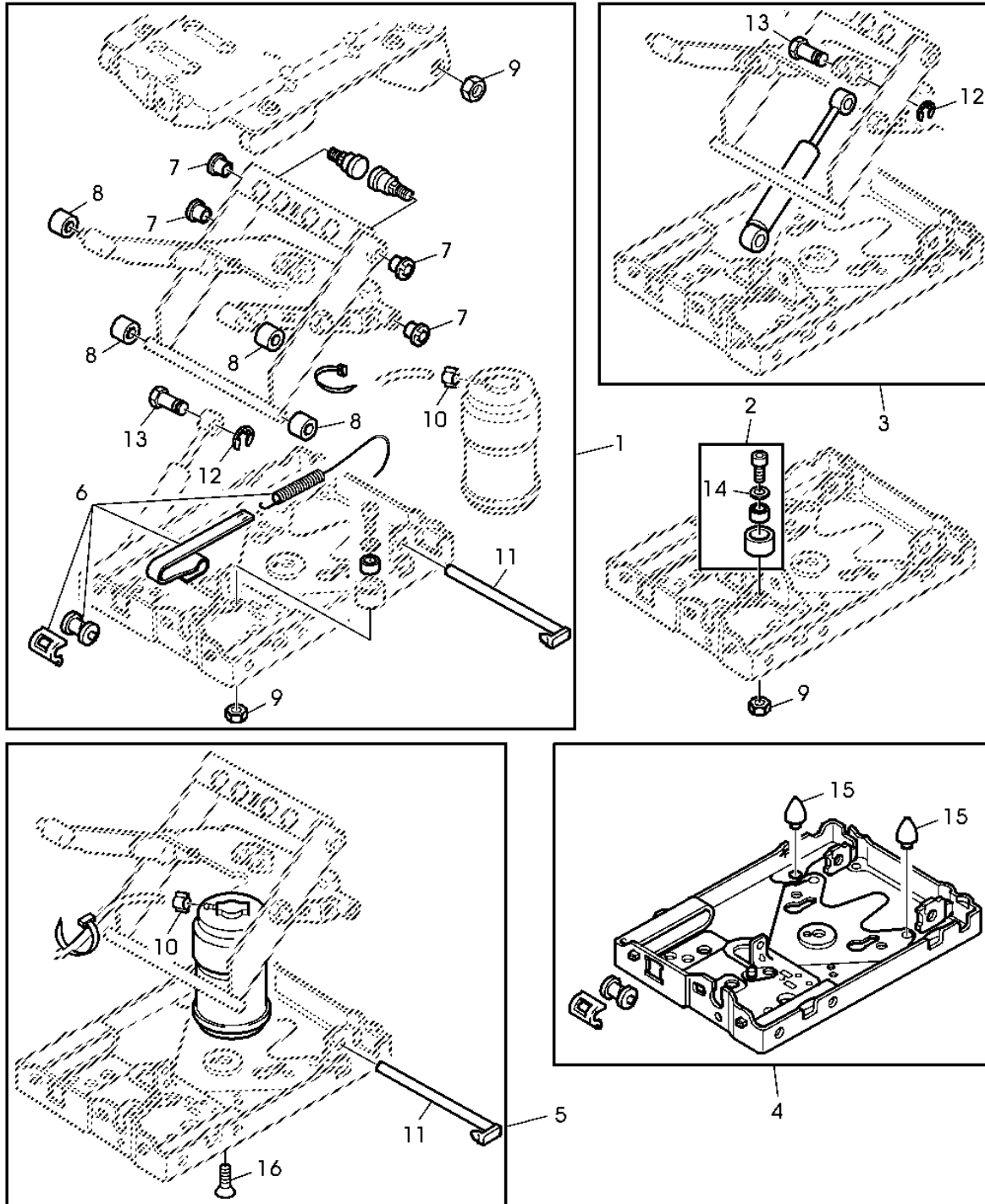


**LX042320**

5 5 5  
 6 7 8  
 2 2 2  
 0 0 0

KEY	PART NO.	PART NAME	QTY	SERIAL NO.	REMARKS
1	AL114618	SEAT	1	X X X	
2	AL117366	SEAT BELT	1	X X X	(SUB FOR AL155361)
3	AL116981	CUSHION	1	X X X	(SUB FOR AL117308)
4	AL116980	CUSHION	1	X X X	(SUB FOR AL117309)
5	19M7867	SCREW	4	X X X	M8 X 25, (SUB FOR L152405)

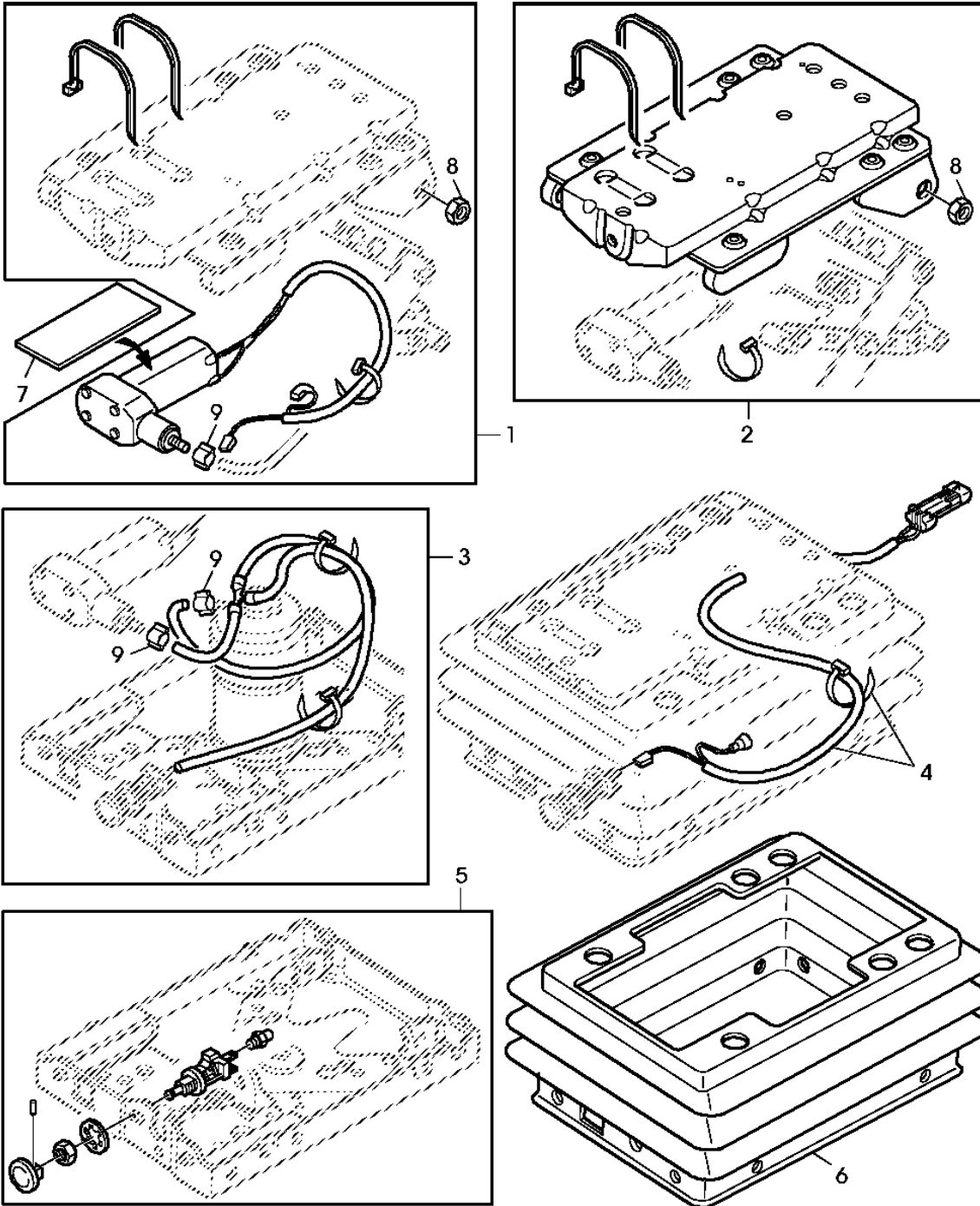
REPAIR KITS FOR AIR COMFORT SEAT MSG93  
 PY000018 -UN-02AUG05



PY000018

KEY	PART NO.	PART NAME	QTY	SERIAL NO.	5 5 5 6 7 8 2 2 2 0 0 0	REMARKS
1	AL117314	RETAINER	1		X X X	
2	AL114702	BUMPER	1		X X X	
3	AL117265	ABSORBER	1		X X X	
4	AL117321	SEAT SUSPENSION	1		X X X	
5	AL117317	SPRING	1		X X X	
6	AL117319	GAUGE	1		X X X	
7	L42041	BEARING	4		X X X	
8	L38855	ROLLER	4		X X X	
9	14M7166	LOCK NUT	3		X X X	M8
10	.....	HOSE CLAMP	2		X X X	NSEP
11	L114922	PIN FASTENER	1		X X X	
12	40M7082	SNAP RING	2		X X X	
13	L63562	PIN FASTENER	2		X X X	
14	24M7055	WASHER	1		X X X	
15	L25678	BUMPER	2		X X X	
16	.....	SCREW	1		X X X	NSEP (ORD AL117272)
..	AL117272	KIT	1		X X X	INCL KEYS 2,6,7,15,16

REPAIR KITS FOR AIR COMFORT SEAT MSG93  
LX019064 -UN-09JUL98



LX019064



OPERATORS STATION

KEY	PART NO.	PART NAME	QTY	SERIAL NO.	5 5 5 6 7 8 2 2 2 0 0 0	REMARKS
1	AL117313	COMPRESSOR	1		X X X	
2	AL117312	SEAT SUSPENSION	1		X X X	
3	AL117315	KIT	1		X X X	
4	AL117318	WIRING HARNESS	1		X X X	
5	AL117320	HAND OPERATED VALVE	1		X X X	
6	AL117322	BOOT	1		X X X	
7	.....	PLATE	1		X X X	NSEP
8	14M7166	LOCK NUT	2		X X X	M8
9	.....	HOSE CLAMP	2		X X X	NSEP

NUMERICAL INDEX

PART NO.	KEY	PAGE	PART NO.	KEY	PAGE	PART NO.	KEY	PAGE
AL110505	10	40-3	L151918	5	40-6	R121424	19	20-3
AL111676	2	40-5	L151919	6	40-6	R121593	1	80-1
AL1114618	1	90-7	L151959	5	40-4	R121594	7	80-1
AL114702	2	90-9	L25678	15	90-9	R123226	11	20-3
AL114803	2	90-1	L38797	15	90-5	R123417	7	20-3
AL116980	4	90-7	L38855	8	90-9	R123417	10	20-3
AL116981	3	90-7	L42041	7	90-9	R123417	17	20-3
AL117265	3	90-9	L56775	3	20-7	R131283	29	20-3
AL117272	16	90-9	L62751	3	70-1	R133301	6	40-9
AL117272	..	90-9	L63562	13	90-9	R136239	9	40-9
AL117312	2	90-11	L77578	4	20-7	R136516	3	20-3
AL117313	1	90-11	L78085	4	40-5	R177888	7	90-3
AL117314	1	90-9	L78173	5	90-5	R180118	5	90-3
AL117315	3	90-11	L78174	3	90-5	R192722	9	20-7
AL117317	5	90-9	L78176	4	90-5	R193788	10	90-3
AL117318	4	90-11	L78703	10	90-6	R198147	12	90-3
AL117319	6	90-9	L78704	6	90-6	R198148	14	90-3
AL117320	5	90-11	L78705	7	90-6	R198149	13	90-3
AL117321	4	90-9	L79775	17	90-5	R198624	3	90-3
AL117322	6	90-11	L79776	9	90-5	R198625	4	90-3
AL117366	2	90-7	L79777	10	90-5	R198887	2	15-3
AL117814	2	40-9	L79778	11	90-5	R199280	6	90-3
AL117815	2	40-9	L79784	6	90-5	R199960	16	20-7
AL118036	7	15-3	L79909	14	20-7	R201539	1	90-3
AL119348	1	70-1	M136357	5	40-9	R201574	9	90-3
AL119623	2	40-4	RE194954	5	20-7	R201575	8	90-3
AL151278	3	90-1	RE195491	2	15-3	R201577	1	90-3
AL152098	9	40-6	RE198488	1	15-3	R201834	11	90-6
AL153517	8	15-3	RE200379	1	70-2	R201835	12	90-6
AL155361	2	90-7	RE200380	1	70-2	R201836	13	90-6
AL155404	9	40-5	RE201977	3	90-6	R201837	14	90-6
AL158964	18	90-5	RE201978	3	90-6	R202078	1	90-3
AL159759	1	40-6	RE201980	18	90-6	R204271	2	80-1
AL166181	1	70-1	RE204426	1	40-5	R204424	10	20-7
AL170672	12	20-7	RE204829	4	80-1	R204818	5	80-1
AL37451	13	20-7	RE205511	9	40-5	R205285	8	20-7
AL65575	2	40-9	RE206116	1	90-1	R205512	3	40-5
AL75644	1	40-4	RE211285	2	20-7	R205549	4	40-5
AL76661	6	20-7	RE212133	1	20-7	R205961	11	20-7
AL76702	4	40-6	RE224723	17	90-6	R206829	2	90-3
AL77324	2	40-6	RE45896	6	80-1	R206835	11	90-3
AL77483	2	90-5	RE46685	8	20-3	R213260	5	90-6
AL77484	2	90-5	RE501911	5	40-3	R213305	2	90-6
AL77485	16	90-5	RE501938	4	20-3	R219644	1	90-3
AL77486	16	90-5	RE504836	6	15-3	R224416	1	90-3
AL78005	7	20-7	RE505501	31	20-3	R224417	1	90-3
AL78021	8	90-5	RE505981	7	20-3	R233430	2	90-3
AL78834	1	90-5	RE506589	4	40-3	R233430	7	90-3
AL80126	..	90-5	RE507522	6	15-3	R234874	2	90-3
AL80127	..	90-5	RE508566	16	20-3	R234874	5	90-3
AR48015	4	40-9	RE508815	8	40-3	R234874	10	90-3
AT130104	8	40-9	RE515314	10	20-3	R237474	4	90-1
AZ55541	5	15-3	RE516340	6	20-3	R501143	6	40-3
AZ55542	4	15-3	RE516674	1	20-3	R504725	2	20-3
A364R	12	20-3	RE517011	1	20-4	R517485	32	20-3
H77698	3	40-3	RE517370	4	20-3	R61105	1	20-3
LG100019	..	90-6	RE519975	4	40-3	TY22470	18	20-7
L111600	3	20-5	RE519976	7	40-3			
L111601	3	20-5	RE56369	27	20-3			
L112969	3	40-5	RE62419	3	15-3			
L114290	2	20-5	RE67239	23	20-3			
L114293	4	20-5	R113780	3	80-1			
L114468	4	20-5	R114193	28	20-3			
L114489	1	20-5	R116617	9	40-3			
L114922	11	90-9	R120636	27	20-3			
L116540	3	40-4	R121036@	13	20-3			
L151877	15	20-7	R121411	20	20-3			

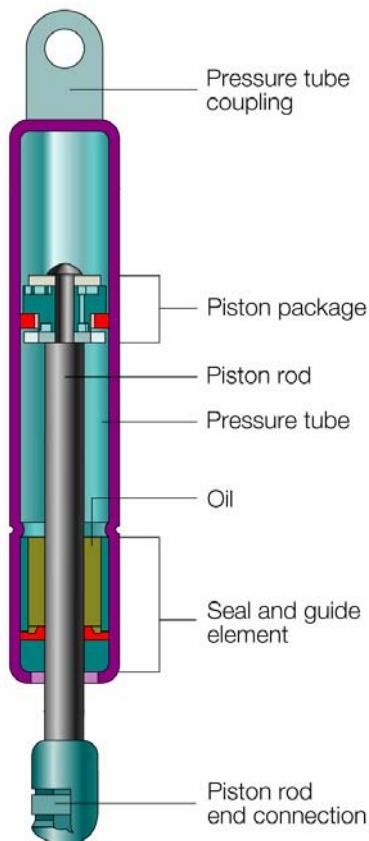
## Genuine John Deere gas struts – Tailor-made solutions for every mounting position on your John Deere tractor!

Due to their specific damping characteristics, genuine John Deere gas struts support easy and comfortable opening as well as soft and convenient adjusting and closing of tractor cab doors, windows and hoods. As they have to meet different requirements on various tractor mounting positions, quality is essential to ensure maximum performance and reliability.



### Design of genuine John Deere gas struts

The most important features and components of genuine John Deere gas struts are:



- **Specific sealing system** – seals are specifically formed for this application, and feature a double sealing system, which keeps the pressure (150 bar/2,175 psi) inside the cylinder. This ensures smooth handling and maximum service lifetime.
- **Piston package and piston rod** – all components of the piston package are made of high-quality material to withstand the pressure in the gas strut. In addition, John Deere piston rods feature a high scratch- and corrosion resistance, due to a special surface treatment (nislide). An even and scratch-free surface is essential to avoid damage to the sealing system that can result in gas leakage, and to prevent dirt from entering the cylinder. The smooth, scratch-free surface reduces wear, enhances cylinder performance, and lengthens cylinder lifetime. Another positive effect of the special surface treatment – John Deere piston rods easily withstand a minimum of 144 hours in salt spray tests; non-genuine fail after only 24 hours.
- **Specially designed fittings for mounting** – protect the gas strut from torsional forces, which prevents gas leakage and ensures reliable operation.

Genuine gas struts fit perfectly in every mounting position and are easy to install, which saves time and money. In addition, they always offer the perfect extension, compression and holding force for the respective application - for an easy and comfortable handling.

All these features put together result in higher reliability and longer lifetime – John Deere gas struts perform through more than 45,000 cycles, while non-genuine cylinders often only last a quarter of this time.

## Overview of genuine John Deere gas struts

Part No.	Mounting Position	Models
<b>AL78987</b>	Front windscreen	5020, 6000/6010/6020
<b>AL110629</b>	Door	6000, 6010
<b>AL151278</b>	Door	5020, 6020
<b>AL114803</b>	Rear window	5020, 6000/6010/6020
<b>AL160699</b>	Roof hatch	6000/6010/6020
<b>AL77767</b>	Hood	6000, 6010
<b>AL152006</b>	Hood	6020, 4 cyl. models
<b>AL151878</b>	Hood	6020, 6 cyl. Models
<b>RE206116</b>	Hood	5020

### Benefits of genuine John Deere gas struts:

- **Perfect fit** in every mounting position for smooth operation and easy installation – saves time and money
- **Comfortable handling** due to perfect extension, compression and holding force for every application
- **Special sealing system** prevents gas leakage and keeps the gas pressure constant
- **Specially designed fittings** protect the gas struts from torsional forces
- **Maximum lifetime** due to high quality components